

# Revolution Retail Systems

QUANTUM™ SERIES



4S - 4S XL





## SPECIFICATIONS:

Height:	30.8" (781 mm)
Width:	32.0" (813 mm)
Depth:	24.1" (611 mm) install depth 24.0" (610 mm) servicing depth 27.8" (707 mm) transit/transportation clearance
Weight:	440 lbs. (199.5 kg) empty

## Device Configuration:

- Number of recycle cassettes
- Number of dispense/refill cassettes
- Number of deposit cassettes

### Quantum 4S

4  
2  
1

### Quantum 4S XL

4  
2  
2

## Notes:

Capacity per cassette (max)

- Recycle cassette
- Dispense/refill cassette
- Deposit cassette
- \* Optional Deposit cassette (1,200 or 2,200)

60 notes	60 notes
500 notes	500 notes
1,500 notes	1,500 notes
2,740 notes	Up to 4,940 notes

## Processing:

Bulk Note Acceptor  
Note processing speed in/out  
Recycle up to

3 notes/sec	3 notes/sec
(4) Denominations	(4) Denominations

## Coin:

- Capacity
- Number of recycle modules
  - Capacity by denomination
  - Pennies
  - Nickels
  - Dimes
  - Quarters
  - Fifty Cent Piece
  - Dollar
  - Total Coin Capacity

4	4
2,800	2,800
1,800	1,800
3,700	3,700
1,500	1,500
20	20
130	130
9,950	9,950

## Processing:

- Coin processing speed in up to
- Coin processing speed out up to
- Accepts up to
- Recycle up to

700 coin/min	700 coin/min
16 coin/sec	16 coin/sec
(6) Denominations	(6) Denominations
(4) Denominations	(4) Denominations

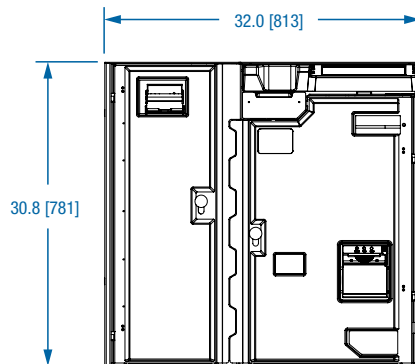
\* With additional bill acceptor option.

1 SYSTEM MUST BE SECURED TO LEVEL FLOOR.

2 UPS SHOULD BE PLACED/MOUNTED WITHIN 4 FEET OF THE QUANTUM UNIT. SEE UPS MANUFACTURER INFORMATION FOR SPACE REQUIREMENTS AND MOUNTING RESTRICTIONS.

3 IF THE A/C OUTLET IS NOT LOCATED IN THE INDICATED AREA BEHIND THE UNIT, THIS DIMENSION TO BE A MINIMUM OF 3".

IF THE A/C OUTLET IS LOCATED IN THE INDICATED AREA BEHIND THE UNIT, THIS DIMENSION TO BE A MINIMUM OF 5".



## HARDWARE FEATURES:

- 10" Touch Screen Color Display
- Optional Integrated Biometrics
- Closed Loop Architecture of Notes and Coins
- Additional Deposit Capacity in the 4S XL Model
- Coin Discrimination (i.e. Counterfeit Coin Rejection)
- Recycle and Lockable Deposit Cassettes
- "Fitness Sort" on Recycled Notes
- Flexible Note Orientation (No Need to Separate or Face Notes)
- Integrated Drop/Storage Vault in the 4S Model
- Optional Integrated Printer
- Scalable Platform
- Network and Cluster Multiple Devices
- Continuous 24/7 Monitoring
- Vault - UL 291 Business "Hours Rated"
- UPS Included

## SOFTWARE FEATURES:

- PCI Compliant
- REACH™ Remote Monitoring Solutions for Tech Support
- Real Time Cash/Coin Level Monitoring
- Scalable – Cluster Format
- Reporting – Standard or Custom
- Lane and/or Clerk Accountability
- Tills and Drop Bags Automatically Traced to a Specific User
- Multiple Tills per Register/Lane
- Configurable User Permission Levels for Machine Access
- Multiple User Authentication Schemes (Card & PIN, Log-in and PIN, or Biometrics)
- Automatic Prompting of Periodic Password Changes
- Track Monies outside of Unit with External Vault Fund Function
- Guided Deposit Preparation: Automatically Calculates and Moves Deposit to Courier Cassette
- Automatic End of Day Reporting
- Courier Specific Log-In Menu
- Video Troubleshooting Tips
- Video Guidance for System Operation

## FEATURE CAPABILITY:

- Ability to Integrate with POS System
- Same Day Credit on Deposit (Provisional Credit)

