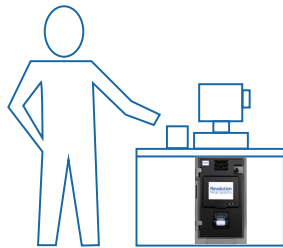


Revolution Retail Systems

QUANTUM™ SERIES



Quantum 4



Compact Note Recycler for Undercounter Installation

HARDWARE FEATURES:

- 10" Touch Screen Color Display
- Closed Loop Architecture of Notes
- Recycle and Lockable Deposit Cassettes
- "Fitness Sort" on Recycled Notes
- Flexible Note Orientation (Not Required to Separate or Face Notes)
- Scalable Platform
- Network and Cluster Multiple Devices
- Continuous 24/7 Monitoring
- Vault - UL 291 Business "Hours Rated"
- Integrated Drop Chute
- UPS Included
- Integrated Printer
- Optional Integrated Biometrics
- Optional Integrated Barcode Scanner

SOFTWARE FEATURES:

- PCI Compliant
- REACH™ Remote Monitoring Solutions for Tech Support
- Real Time Cash Level Monitoring
- Scalable – Cluster Format
- Reporting – Standard or Custom
- Lane and/or Clerk Accountability
- Tills Automatically Traced to a Specific User
- Multiple Tills per Register/Lane
- Configurable User Permission Levels for Machine Access
- Multiple User Authentication Schemes (Card & PIN, Log-in and PIN, or Biometrics)
- Automatic Prompting of Periodic Password Changes
- Guided Deposit Preparation: Automatically Calculates and Moves Deposit to Courier Cassette
- Automatic End of Day Reporting
- Courier Specific Log-In Menu
- Video Troubleshooting Tips
- Video Guidance for System Operation

FEATURE CAPABILITY:

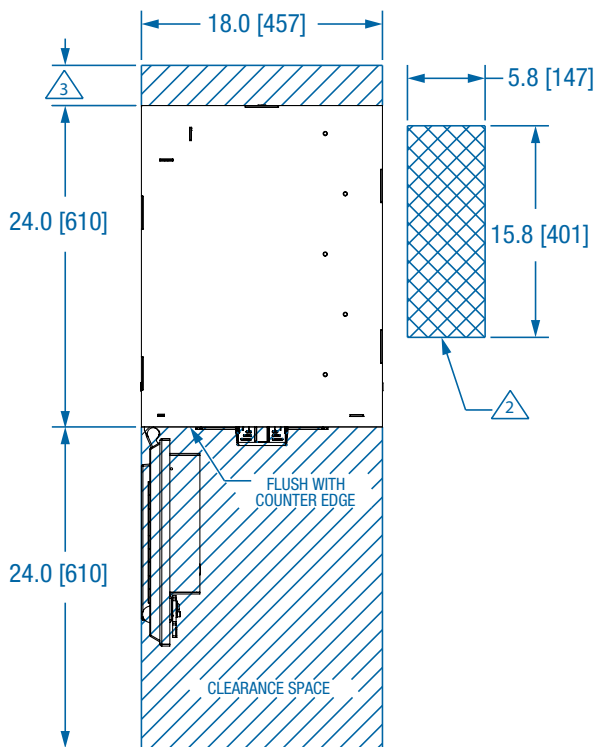
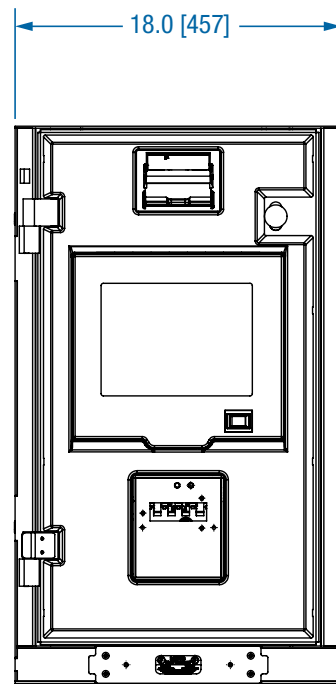
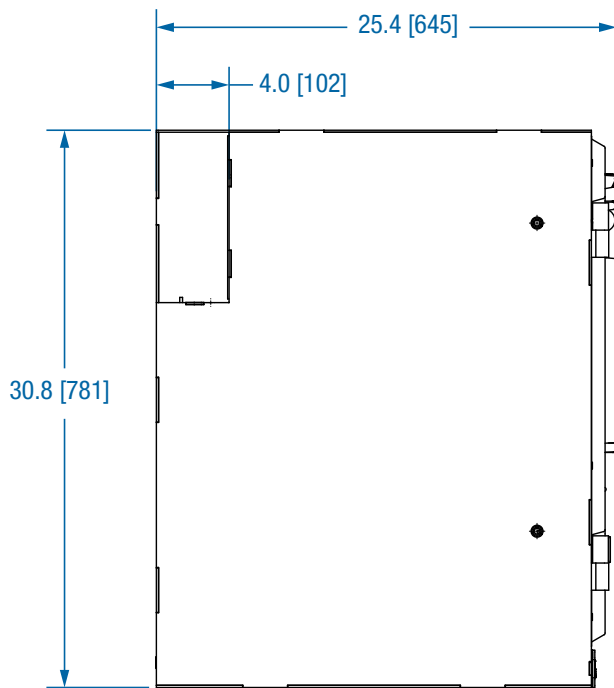
- Ability to Integrate with POS System
- Same Day Credit on Deposit (Provisional Credit)

Physical Characteristics (nominal):	Quantum 4
Height	30.8" (781 mm)
Width	18" (457 mm)
Depth	24" (610 mm)
Weight (empty)	314 lbs (142.4 kg)
Device Configuration:	
Number of Recycle Cassettes	4
Number of Dispense/Refill Cassettes	2
Number of Deposit Cassettes	1
Notes:	
Capacity per Cassette (max)*:	
Recycle Cassette	60 notes
Dispense/Refill Cassette	500 notes
Deposit Cassette	1,500 notes
Total Capacity of Notes	2,740 notes
Additional Deposit Capacity Available via Optional Auxiliary Vault	up to 2,200 notes
Processing:	
Bulk Note Acceptor	
Note Processing Speed In/Out	3 notes/sec
Recycle Up To	(4) Denominations

*Capacities are based on fitness of notes.

Revolution Retail Systems

PRODUCT AND INSTALLATION DIMENSIONS



1 SYSTEM MUST BE SECURED TO LEVEL FLOOR.

2 UPS SHOULD BE PLACED/MOUNTED WITHIN 4 FEET OF THE QUANTUM UNIT. SEE UPS MANUFACTURER INFORMATION FOR SPACE REQUIREMENTS AND MOUNTING RESTRICTIONS.

3 IF THE A/C OUTLET OR DATA PORT IS NOT LOCATED IN THE INDICATED AREA BEHIND THE UNIT, THIS DIMENSION TO BE A MINIMUM OF 3" [76mm]. IF THE A/C OUTLET OR DATA PORT IS LOCATED IN THE INDICATED AREA BEHIND THE UNIT, THIS DIMENSION TO BE A MINIMUM OF 5" [127mm].