

Revolution Retail Systems

PARAGON™ SERIES



4 Notes Dual





SPECIFICATIONS: Paragon 4 Notes Dual

Height: 48.78" (1,239.1 mm)
 Width: 41.58" (1056.1 mm)
 Depth: 38.25" (971.6 mm)
 Weight: 2,190 lbs. (993 kg) Standard Security Note Vault
 *Unit must be secured to a level floor.

Device Configuration:

- Number of recycle cassettes
- Number of deposit cassettes

Notes:

Capacity per cassette (approximate)

- Recycle cassette 2,700 notes
- Deposit cassette 2,700 notes

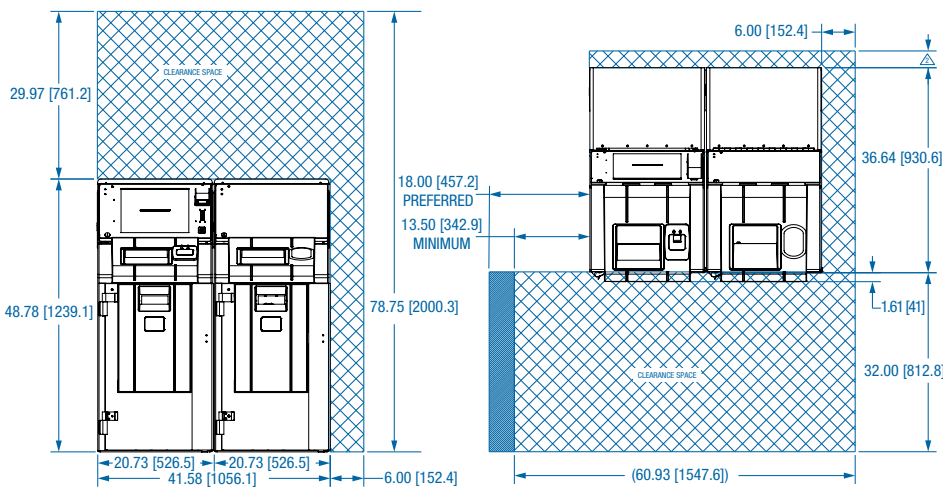
Total capacity of notes 27,000 notes

Processing:

Bulk Note Acceptor
 Note processing speed in/out 8 notes/sec
 Recycle up to (8) Denominations

NOTES:
 1. SYSTEM MUST BE SECURED TO LEVEL FLOOR.

⚠ IF THE A/C OUTLET IS NOT LOCATED IN THE INDICATED AREA BEHIND THE UNIT, THIS DIMENSION TO BE A MINIMUM OF 3".
 IF THE A/C OUTLET IS LOCATED IN THE INDICATED AREA BEHIND THE UNIT, THIS DIMENSION TO BE A MINIMUM OF 5".



HARDWARE FEATURES:

- Closed Loop Architecture of Notes; No Manual Intervention Required
- Lockable Deposit Cassette
- "Fitness Sort" on Recycled Notes
- Flexible Note Orientation (No Need to Separate or Face Notes)
- Pocket Note Acceptor Handles Large Bundles of Notes
- Scalable Platform
- Continuous 24/7 Monitoring
- Integrated Printer
- Integrated Till Check In/Out Scanner – Optional
- Integrated Palm Scanner Biometrics – Optional
- Uninterruptable Power Supply

SOFTWARE FEATURES:

- PCI Compliant
- REACH™ Remote Monitoring Solutions for Tech Support
- Real Time Cash/Coin Level Monitoring
- Scalable – Cluster Format
- Reporting – Standard or Custom
- Lane and/or Clerk Accountability
- Tills and Drop Bags Automatically Traced to a Specific User by Utilizing Bar-Coding
- Multiple Tills per Register/Lane
- Configurable User Permission Levels for Machine Access
- Multiple User Authentication Schemes (Card & PIN, Log-in and PIN, or Biometrics)
- Automatic Prompting of Periodic Password Changes
- Customized Programming of ID Cards
- Track Monies outside of Unit with External Vault Fund Function
- Guided Deposit Preparation: Automatically Calculates and Moves Deposit to Courier Cassette
- Automatic End of Day Reporting
- Courier Specific Log-In Menu
- Video Troubleshooting Tips
- Video Guidance for System Operation

FEATURE CAPABILITY:

- Ability to Integrate with POS System
- Same Day Credit on Deposit (Provisional Credit)