

Revolution Retail Systems

PARAGON™ SERIES



3S/4S - 3L/4L





**SPECIFICATIONS:
Paragon 3S & 4S**

Height: 48.84" (1,240.6 mm)
 Width: 41.47" (1,053.3 mm)
 Depth: 38.25" (971.6 mm)
 Weight: 2,185 lbs. (991 kg) for 3S
 Weight: 2,127 lbs. (965 kg) for 4S
 *Unit must be secured to a level floor.



**SPECIFICATIONS:
Paragon 3L & 4L**

Height: 49.36" (1,253.7 mm)
 Width: 49.98" (1,269.5 mm)
 Depth: 38.25" (971.6 mm)
 Weight: 2,887 lbs. (1,309.5 kg) for 3L
 Weight: 2,829 lbs. (1,283.1 kg) for 4L
 *Unit must be secured to a level floor.

Device Configuration:

- Number of recycle cassettes
- Number of deposit cassettes

Paragon 3S

3
1

Paragon 3L

3
1

Paragon 4S

4
1

Paragon 4L

4
1

Notes:

Capacity per cassette (approx.):

- | | | | | |
|--------------------|-------------|-------------|-------------|-------------|
| • Recycle cassette | 2,700 notes | 2,700 notes | 2,700 notes | 2,700 notes |
| • Deposit cassette | 2,700 notes | 2,700 notes | 2,700 notes | 2,700 notes |

Total capacity of notes	10,800 notes	10,800 notes	13,500 notes	13,500 notes
-------------------------	--------------	--------------	--------------	--------------

Processing:

Bulk Note Acceptor

Note processing speed in/out	8 notes/sec	8 notes/sec	8 notes/sec	8 notes/sec
Recycle up to	(3) Denominations	(3) Denominations	(4) Denominations	(4) Denominations

Coin:

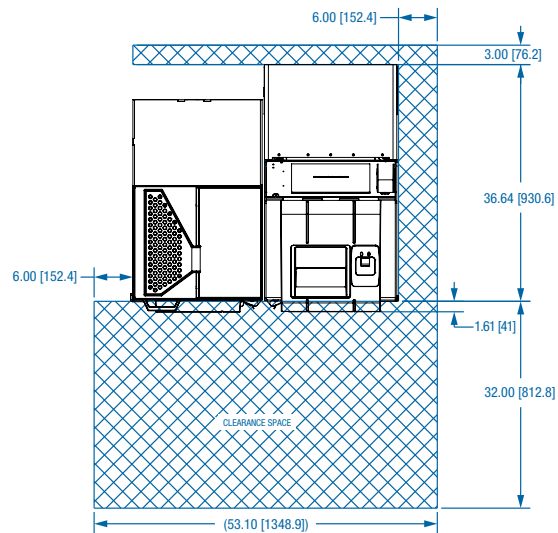
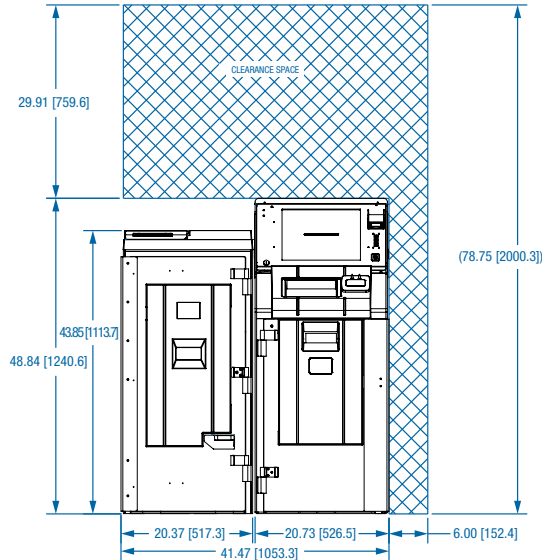
Capacity

- | | | | | |
|-----------------------------|--------|--------|--------|--------|
| • Number of recycle modules | 5 | 4 | 5 | 4 |
| • Capacity by denomination: | | | | |
| Pennies | 5,000 | 12,000 | 5,000 | 12,000 |
| Nickels | 3,400 | 7,000 | 3,400 | 7,000 |
| Dimes | 6,800 | 14,000 | 6,800 | 14,000 |
| Quarters | 2,800 | 6,000 | 2,800 | 6,000 |
| Dollar | 130 | 750 | 130 | 750 |
| Fifty Cent Piece | 20 | 750 | 20 | 750 |
| Sorted Overflow | --- | 24,000 | --- | 24,000 |
| • Total Coin Capacity | 18,150 | 64,500 | 18,150 | 64,500 |

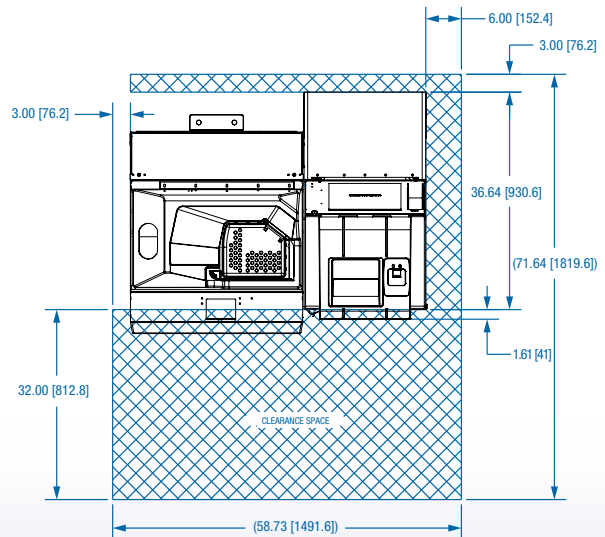
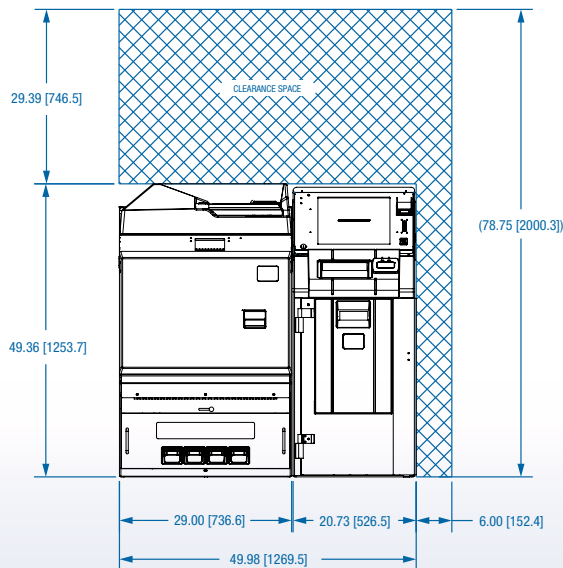
Processing:

- | | | | | |
|-----------------------------------|-------------------|-------------------|-------------------|-------------------|
| • Coin processing speed in up to | 700 coin/min | 3,000 coin/min | 700 coin/min | 3,000 coin/min |
| • Coin processing speed out up to | 16 coin/sec | 32 coin/sec | 16 coin/sec | 32 coin/sec |
| • Accepts up to | (5) Denominations | (6) Denominations | (5) Denominations | (6) Denominations |
| • Recycle up to | (5) Denominations | (4) Denominations | (5) Denominations | (4) Denominations |

Paragon 3S & 4S



Paragon 3L & 4L



HARDWARE FEATURES:

- Closed Loop Architecture of Notes and Coins; No Manual Intervention Required
- Coin Discrimination (i.e. Counterfeit Coin Rejection)
- Scalable – Up to Two (2) Note Recyclers
- Lockable Deposit Cassette
- “Fitness Sort” on Recycled Notes
- Flexible Note Orientation (No Need to Separate or Face Notes)
- Pocket Note Acceptor (Handles Large Bundles of Notes; Up to 200)
- Integrated drop/storage Vault- Optional
- Dispenses Coins Directly into Till Tray – Paragon 3S & 4S
- Dispenses Coins Directly into Till Drawer – Paragon 3L & 4L
- Optional Biometrics (Palm Scanner)
- Cup LEDs (Notification if Change is Left in Cups)
- Scalable Platform Network and Cluster multiple devices
- Continuous 24/7 Monitoring
- Integrated Printer

FEATURE CAPABILITY:

- Ability to Integrate with POS System
- Same Day Credit on Deposit (Provisional Credit)

SOFTWARE FEATURES:

- PCI Compliant
- Axeda Remote Monitoring Solutions for Tech Support
- Real Time Cash/Coin Level Monitoring
- Scalable – Cluster Format
- Reporting – Standard or Custom
- Lane and/or Clerk Accountability
- Tills and Drop Bags Automatically Traced to a Specific User by Utilizing Bar-Coding
- Multiple Tills per Register/Lane
- Configurable User Permission Levels for Machine Access
- Multiple User Authentication Schemes (Card & PIN, Log-in and PIN, or Biometrics)
- Automatic Prompting of Periodic Password Changes
- Track Monies outside of Unit with External Vault Fund Function
- Guided Deposit Preparation: Automatically Calculates and Moves Deposit to Courier Cassette
- Automatic End of Day Reporting
- Courier Specific Log-In Menu
- Video Troubleshooting Tips
- Video Guidance for System Operation