

Revolution Retail Systems

PARAGON™ SERIES



3S/4S 3L/4L
with Drop Vault





**SPECIFICATIONS:
Paragon 3S/4S
with Drop Vault**

Height: 48.84" (1,240.6 mm)
 Width: 48.89" (1,241.7 mm)
 Depth: 38.25" (971.6 mm)
 Weight: 2,515 lbs. (1,140.7 kg) for 3S
 Weight: 2,457 lbs. (1,114.7 kg) for 4S
 *Unit must be secured to a level floor.



**SPECIFICATIONS:
Paragon 3L/4L
with Drop Vault**

Height: 49.36" (1,253.7 mm)
 Width: 58.77" (1,492.8 mm)
 Depth: 38.25" (971.6 mm)
 Weight: 3,217 lbs. (1,459.2 kg) for 3L
 Weight: 3,159 lbs. (1,432.8 kg) for 4L
 *Unit must be secured to a level floor.

Device Configuration:

- Number of recycle cassettes
- Number of deposit cassettes

	Paragon 3S	Paragon 3L	Paragon 4S	Paragon 4L
Number of recycle cassettes	3	3	4	4
Number of deposit cassettes	1	1	1	1

Notes:

Capacity per cassette (approx.):

- | | Paragon 3S | Paragon 3L | Paragon 4S | Paragon 4L |
|------------------|-------------|-------------|-------------|-------------|
| Recycle cassette | 2,700 notes | 2,700 notes | 2,700 notes | 2,700 notes |
| Deposit cassette | 2,700 notes | 2,700 notes | 2,700 notes | 2,700 notes |

Total capacity of notes: Paragon 3S (10,800 notes), Paragon 3L (10,800 notes), Paragon 4S (13,500 notes), Paragon 4L (13,500 notes)

Processing:

Bulk Note Acceptor

	Paragon 3S	Paragon 3L	Paragon 4S	Paragon 4L
Note processing speed in/out	8 notes/sec	8 notes/sec	8 notes/sec	8 notes/sec
Recycle up to	(3) Denominations	(3) Denominations	(4) Denominations	(4) Denominations

Coin:

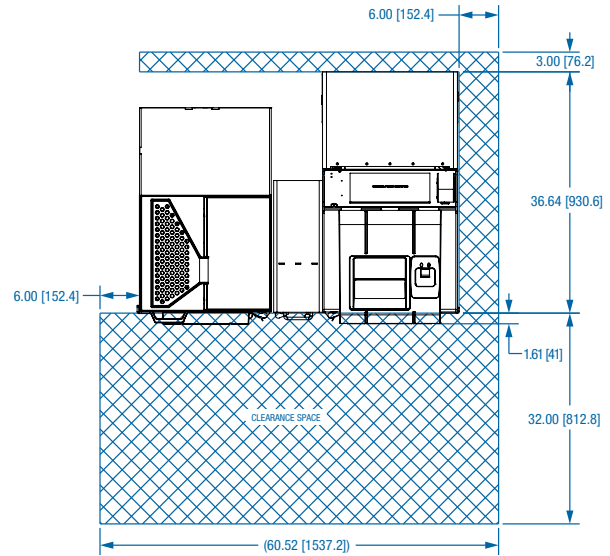
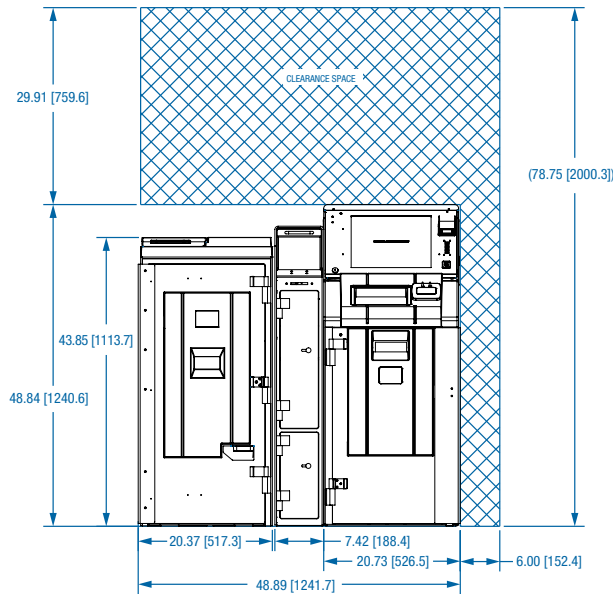
Capacity

	Paragon 3S	Paragon 3L	Paragon 4S	Paragon 4L
Number of recycle modules	5	4	5	4
Capacity by denomination:				
Pennies	5,000	12,000	5,000	12,000
Nickels	3,400	7,000	3,400	7,000
Dimes	6,800	14,000	6,800	14,000
Quarters	2,800	6,000	2,800	6,000
Dollar	130	750	130	750
Fifty Cent Piece	20	750	20	750
Sorted Overflow	---	24,000	---	24,000
Total Coin Capacity	18,150	64,500	18,150	64,500

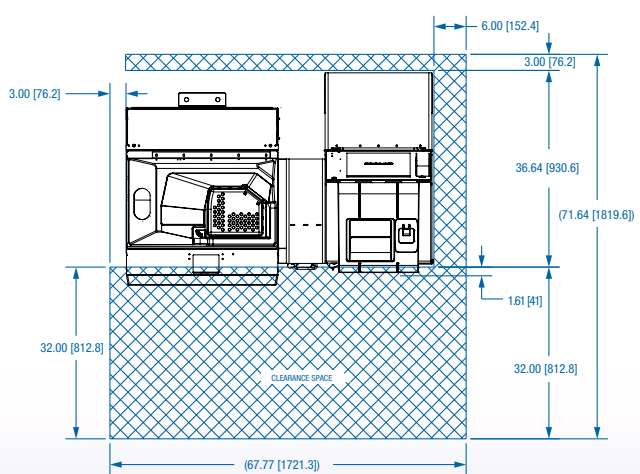
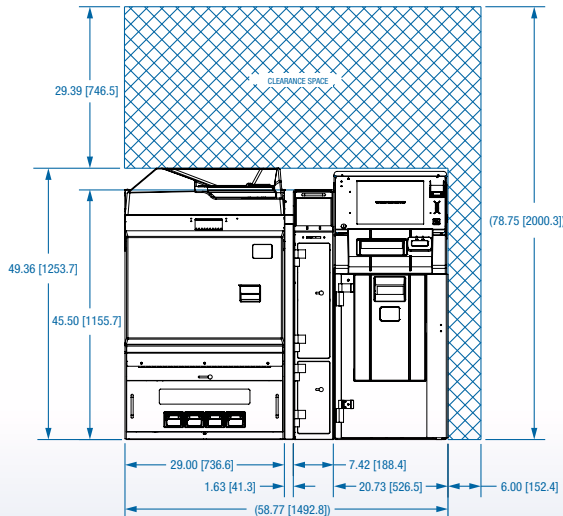
Processing:

	Paragon 3S	Paragon 3L	Paragon 4S	Paragon 4L
Coin processing speed in up to	700 coin/min	3,000 coin/min	700 coin/min	3,000 coin/min
Coin processing speed out up to	16 coin/sec	32 coin/sec	16 coin/sec	32 coin/sec
Accepts up to	(5) Denominations	(6) Denominations	(5) Denominations	(6) Denominations
Recycle up to	(5) Denominations	(4) Denominations	(5) Denominations	(4) Denominations

Paragon 3S & 4S with Drop Vault



Paragon 3L & 4L with Drop Vault



HARDWARE FEATURES:

- Closed Loop Architecture of Notes and Coins; No Manual Intervention Required
- Coin Discrimination (i.e. Counterfeit Coin Rejection)
- Scalable – Up to Two (2) Note Recyclers
- Lockable Deposit Cassette
- “Fitness Sort” on Recycled Notes
- Flexible Note Orientation (No Need to Separate or Face Notes)
- Pocket Note Acceptor (Handles Large Bundles of Notes; Up to 200)
- Integrated drop/storage Vault- Optional
- Dispenses Coins Directly into Till Tray – Paragon 3S & 4S
- Dispenses Coins Directly into Till Drawer – Paragon 3L & 4L
- Optional Biometrics (Palm Scanner)
- Cup LEDs (Notification if Change is Left in Cups)
- Scalable Platform Network and Cluster multiple devices
- Continuous 24/7 Monitoring
- Integrated Printer

FEATURE CAPABILITY:

- Ability to Integrate with POS System
- Same Day Credit on Deposit (Provisional Credit)

SOFTWARE FEATURES:

- PCI Compliant
- Axeda Remote Monitoring Solutions for Tech Support
- Real Time Cash/Coin Level Monitoring
- Scalable – Cluster Format
- Reporting – Standard or Custom
- Lane and/or Clerk Accountability
- Tills and Drop Bags Automatically Traced to a Specific User by Utilizing Bar-Coding
- Multiple Tills per Register/Lane
- Configurable User Permission Levels for Machine Access
- Multiple User Authentication Schemes (Card & PIN, Log-in and PIN, or Biometrics)
- Automatic Prompting of Periodic Password Changes
- Track Monies outside of Unit with External Vault Fund Function
- Guided Deposit Preparation: Automatically Calculates and Moves Deposit to Courier Cassette
- Automatic End of Day Reporting
- Courier Specific Log-In Menu
- Video Troubleshooting Tips
- Video Guidance for System Operation

DROP VAULT:

Capacity:

- Upper - Drop Vault - 1 Cubic ft.
- Lower - Storage Vault - .93 Cubic ft.

ACCESS/CONTROL:

Upper Vault

- Drops can be made via a Drop Chute.
- The Drop Chute is controlled by biometric access.
- Packages or Drops can be tracked by Barcode Scanner in conjunction with RRS Paragon Series.

Storage Vault

- Biometric Access.
- Till Drawers or Drops can be tracked by Barcode Scanner in conjunction with RRS Paragon Series.