

# Revolution Retail Systems

PARAGON™ SERIES



3S/4S 3L/4L Dual  
with Drop Vault





**SPECIFICATIONS:  
Paragon 3S/4S  
Dual with Drop Vault**

Height: 48.84" (1,240.6 mm)  
 Width: 69.73" (1,771.2 mm)  
 Depth: 38.25" (971.6 mm)  
 Weight: 3,610 lbs. (1,637.7 kg) for 3S  
 Weight: 3,552 lbs. (1,611.7 kg) for 4S  
 \*Unit must be secured to a level floor.



**SPECIFICATIONS:  
Paragon 3L/4L  
Dual with Drop Vault**

Height: 49.36" (1,253.7 mm)  
 Width: 79.62 (2,022.4 mm)  
 Depth: 38.25" (971.6 mm)  
 Weight: 4,312 lbs. (1,956.2 kg) for 3L  
 Weight: 4,254 lbs. (1,929.8 kg) for 4L  
 \*Unit must be secured to a level floor.

**Device Configuration:**

- Number of recycle cassettes
- Number of deposit cassettes

**Notes:**

Capacity per cassette (approx.):

- Recycle cassette
- Deposit cassette

Total capacity of notes

**Processing:**

Bulk Note Acceptor

Note processing speed in/out

Recycle up to

**Coin:**

Capacity

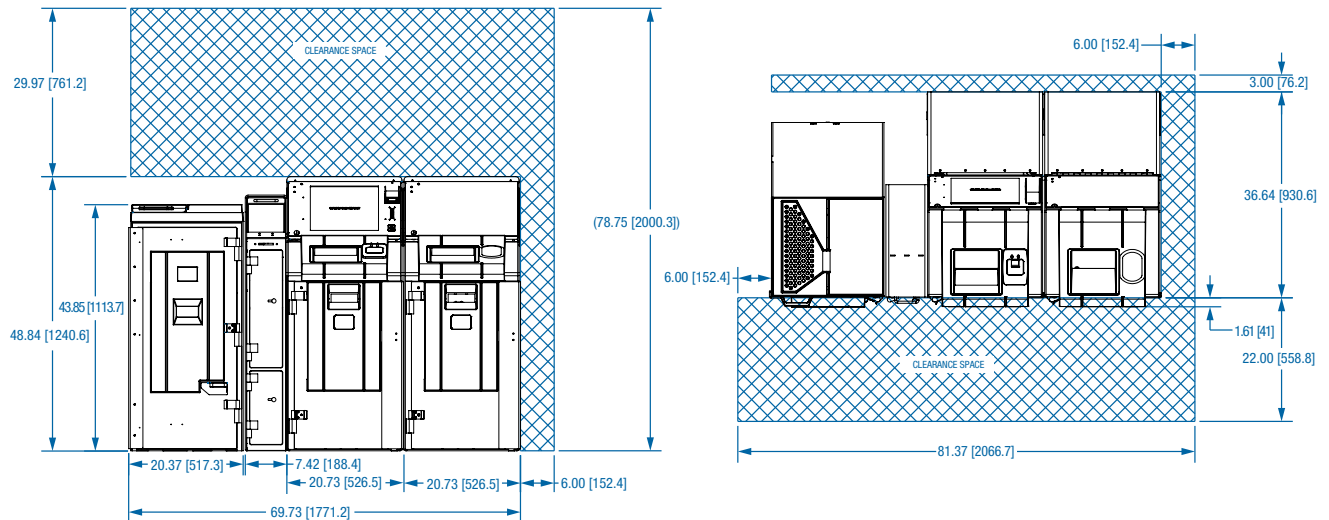
- Number of recycle modules
- Capacity by denomination:

|                                   | Paragon 3S Dual     | Paragon 3L Dual     | Paragon 4S Dual     | Paragon 4L Dual     |
|-----------------------------------|---------------------|---------------------|---------------------|---------------------|
| Recycle cassette                  | 2,700 notes         | 2,700 notes         | 2,700 notes         | 2,700 notes         |
| Deposit cassette                  | 2,700 notes         | 2,700 notes         | 2,700 notes         | 2,700 notes         |
| <b>Total capacity of notes</b>    | <b>21,600 notes</b> | <b>21,600 notes</b> | <b>27,000 notes</b> | <b>27,000 notes</b> |
| <b>Processing:</b>                |                     |                     |                     |                     |
| Bulk Note Acceptor                |                     |                     |                     |                     |
| Note processing speed in/out      | 8 notes/sec         | 8 notes/sec         | 8 notes/sec         | 8 notes/sec         |
| Recycle up to                     | (6) Denominations   | (6) Denominations   | (8) Denominations   | (8) Denominations   |
| <b>Coin:</b>                      |                     |                     |                     |                     |
| Capacity                          |                     |                     |                     |                     |
| • Number of recycle modules       | 5                   | 4                   | 5                   | 4                   |
| • Capacity by denomination:       |                     |                     |                     |                     |
| Pennies                           | 5,000               | 12,000              | 5,000               | 12,000              |
| Nickels                           | 3,400               | 7,000               | 3,400               | 7,000               |
| Dimes                             | 6,800               | 14,000              | 6,800               | 14,000              |
| Quarters                          | 2,800               | 6,000               | 2,800               | 6,000               |
| Dollar                            | 130                 | 750                 | 130                 | 750                 |
| Fifty Cent Piece                  | 20                  | 750                 | 20                  | 750                 |
| Sorted Overflow                   | ---                 | 24,000              | ---                 | 24,000              |
| • Total Coin Capacity             | 18,150              | 64,500              | 18,150              | 64,500              |
| <b>Processing:</b>                |                     |                     |                     |                     |
| • Coin processing speed in up to  | 700 coin/min        | 3,000 coin/min      | 700 coin/min        | 3,000 coin/min      |
| • Coin processing speed out up to | 16 coin/sec         | 32 coin/sec         | 16 coin/sec         | 32 coin/sec         |
| • Accepts up to                   | (5) Denominations   | (6) Denominations   | (5) Denominations   | (6) Denominations   |
| • Recycle up to                   | (5) Denominations   | (4) Denominations   | (5) Denominations   | (4) Denominations   |

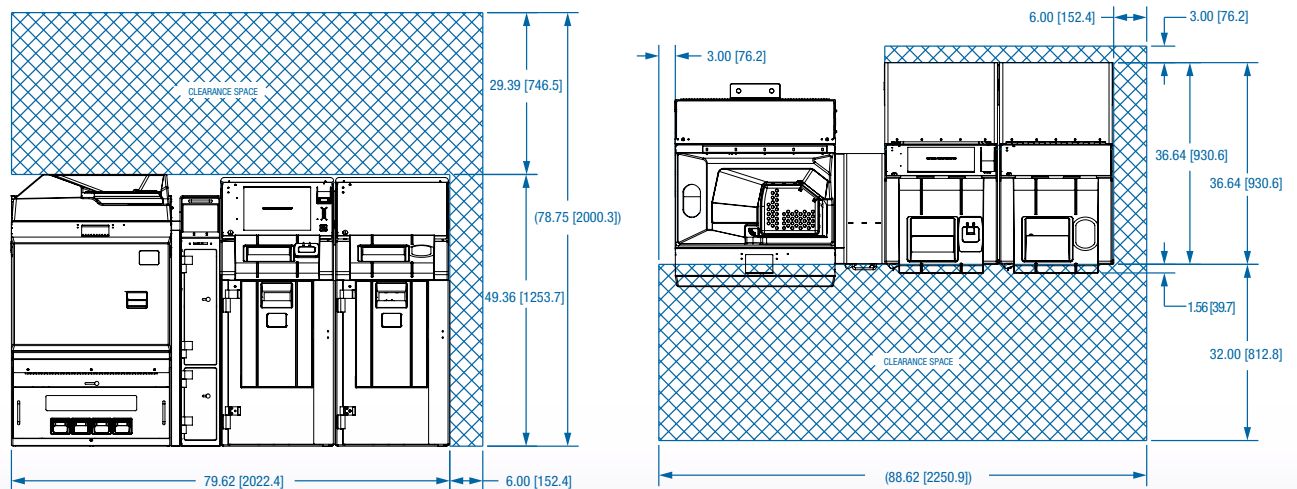
**Processing:**

- Coin processing speed in up to
- Coin processing speed out up to
- Accepts up to
- Recycle up to

## Paragon 3S & 4S Dual with Drop Vault



## Paragon 3L & 4L Dual with Drop Vault



### HARDWARE FEATURES:

- Closed Loop Architecture of Notes and Coins; No Manual Intervention Required
- Coin Discrimination (i.e. Counterfeit Coin Rejection)
- Scalable – Up to Two (2) Note Recyclers
- Lockable Deposit Cassette
- “Fitness Sort” on Recycled Notes
- Flexible Note Orientation (No Need to Separate or Face Notes)
- Pocket Note Acceptor (Handles Large Bundles of Notes; Up to 200)
- Integrated drop/storage Vault- Optional
- Dispenses Coins Directly into Till Tray – Paragon 3S & 4S
- Dispenses Coins Directly into Till Drawer – Paragon 3L & 4L
- Optional Biometrics (Palm Scanner)
- Cup LEDs (Notification if Change is Left in Cups)
- Scalable Platform Network and Cluster multiple devices
- Continuous 24/7 Monitoring
- Integrated Printer

### FEATURE CAPABILITY:

- Ability to Integrate with POS System
- Same Day Credit on Deposit (Provisional Credit)

### SOFTWARE FEATURES:

- PCI Compliant
- Axeda Remote Monitoring Solutions for Tech Support
- Real Time Cash/Coin Level Monitoring
- Scalable – Cluster Format
- Reporting – Standard or Custom
- Lane and/or Clerk Accountability
- Tills and Drop Bags Automatically Traced to a Specific User by Utilizing Bar-Coding
- Multiple Tills per Register/Lane
- Configurable User Permission Levels for Machine Access
- Multiple User Authentication Schemes (Card & PIN, Log-in and PIN, or Biometrics)
- Automatic Prompting of Periodic Password Changes
- Track Monies outside of Unit with External Vault Fund Function
- Guided Deposit Preparation: Automatically Calculates and Moves Deposit to Courier Cassette
- Automatic End of Day Reporting
- Courier Specific Log-In Menu
- Video Troubleshooting Tips
- Video Guidance for System Operation

### DROP VAULT:

Capacity:  
Upper - Drop Vault - 1 Cubic ft.  
Lower - Storage Vault - .93 Cubic ft.

### ACCESS/CONTROL:

Upper Vault

- Drops can be made via a Drop Chute.
- The Drop Chute is controlled by biometric access.
- Packages or Drops can be tracked by Barcode Scanner in conjunction with RRS Paragon Series.

### Storage Vault

- Biometric Access.
- Till Drawers or Drops can be tracked by Barcode Scanner in conjunction with RRS Paragon Series.