

Revolution Retail Systems

QUANTUM™ SERIES



Specification Sheet





SPECIFICATIONS:

Height: 30.75" (781 mm)
 Width: 32" (813 mm)
 Depth: 24" (610 mm) install depth
 24" (610 mm) servicing depth
 25.4" (645 mm) transit/transportation clearance
 Weight: 440 lbs. (199.5 kg)
 Unit must be secured to a level floor.

Device Configuration:

- Number of recycle cassettes
- Number of dispense/refill cassettes
- Number of deposit cassettes

	Quantum 2S	Quantum 4S
Number of recycle cassettes	2	4
Number of dispense/refill cassettes	1	2
Number of deposit cassettes	3*	2*

Notes:

Capacity per cassette (approx.):

- Recycle cassette
 - Dispense/refill cassette
 - Deposit cassette
 - *Optional Deposit Cassette (1,200 or 2,200)
- Total capacity of notes

	Quantum 2S	Quantum 4S
Recycle cassette	60 notes	60 notes
Dispense/refill cassette	500 notes	500 notes
Deposit cassette	1,500 notes	1,500 notes
*Optional Deposit Cassette (1,200 or 2,200)	2,200 notes	2,200 notes
Total capacity of notes	5,820 notes	4,940 notes

Processing:

Bulk Note Acceptor
 Note processing speed in/out
 Recycle up to

	Quantum 2S	Quantum 4S
Note processing speed in/out	3 notes/sec	3 notes/sec
Recycle up to	(2) Denominations	(4) Denominations

Coin:

- Capacity
- Number of recycle modules
 - Capacity by denomination:
 - Nickels
 - Dimes
 - Quarters
 - Loonie
 - Toonie
 - Total Coin Capacity

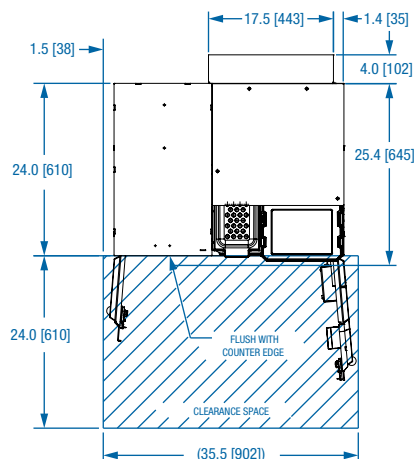
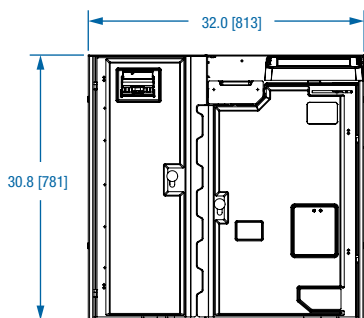
	Quantum 2S	Quantum 4S
Number of recycle modules	5	5
Nickels	1,800	1,800
Dimes	4,000	4,000
Quarters	1,500	1,500
Loonie	1,100	1,100
Toonie	900	900
Total Coin Capacity	9,300	9,300

Processing:

- Coin processing speed in up to
- Coin processing speed out up to
- Accepts up to
- Recycle up to

	Quantum 2S	Quantum 4S
Coin processing speed in up to	700 coin/min	700 coin/min
Coin processing speed out up to	16 coin/sec	16 coin/sec
Accepts up to	(5) Denominations	(5) Denominations
Recycle up to	(4) Denominations	(4) Denominations

* Additional deposit cassette option.



HARDWARE FEATURES:

- 10" Touch Screen Color Display
- Integrated Biometrics
- Closed Loop Architecture of Notes and Coins; No Manual Intervention Required
- Coin Discrimination (i.e. Counterfeit Coin Rejection)
- Lockable Deposit and Recycle Cassettes
- "Fitness Sort" on Recycled Notes
- Flexible Note Orientation (No Need to Separate or Face Notes)
- Integrated Drop/Storage Vault
- Integrated Printer
- Scalable Platform
- Network and Cluster Multiple Devices
- Continuous 24/7 Monitoring
- Vault - UL 291 Business "Hours Rated"

SOFTWARE FEATURES:

- PCI Compliant
- Axeda Remote Monitoring Solutions for Tech Support
- Real Time Cash/Coin Level Monitoring
- Scalable – Cluster Format
- Reporting – Standard or Custom
- Lane and/or Clerk Accountability
- Tills and Drop Bags Automatically Traced to a Specific User
- Multiple Tills per Register/Lane
- Configurable User Permission Levels for Machine Access
- Multiple User Authentication Schemes (Card & PIN, Log-in and PIN, or Biometrics)
- Automatic Prompting of Periodic Password Changes
- Track Monies outside of Unit with External Vault Fund Function
- Guided Deposit Preparation: Automatically Calculates and Moves Deposit to Courier Cassette
- Automatic End of Day Reporting
- Courier Specific Log-In Menu
- Video Troubleshooting Tips
- Video Guidance for System Operation

FEATURE CAPABILITY:

- Ability to Integrate with POS System
- Same Day Credit on Deposit (Provisional Credit)