

Revolution Retail Systems

PARAGON™ SERIES



3S/4S 3L/4L
with Drop Vault





**SPECIFICATIONS:
Paragon 3S/4S
with Drop Vault**

Height: 48.84" (1,240.6 mm)
 Width: 48.89" (1,241.7 mm)
 Depth: 38.25" (971.6 mm)
 Weight: 2,515 lbs. (1,140.7 kg) for 3S
 Weight: 2,457 lbs. (1,114.7 kg) for 4S
 *Unit must be secured to a level floor.



**SPECIFICATIONS:
Paragon 3L/4L
with Drop Vault**

Height: 49.36" (1,253.7 mm)
 Width: 58.77" (1,492.8 mm)
 Depth: 38.25" (971.6 mm)
 Weight: 3,217 lbs. (1,459.2 kg) for 3L
 Weight: 3,159 lbs. (1,432.8 kg) for 4L
 *Unit must be secured to a level floor.

Device Configuration:

- Number of recycle cassettes
- Number of deposit cassettes

	Paragon 3S	Paragon 3L	Paragon 4S	Paragon 4L
Number of recycle cassettes	3	3	4	4
Number of deposit cassettes	1	1	1	1

Notes:

Capacity per cassette (approx.):

- | | Paragon 3S | Paragon 3L | Paragon 4S | Paragon 4L |
|------------------|-------------|-------------|-------------|-------------|
| Recycle cassette | 2,700 notes | 2,700 notes | 2,700 notes | 2,700 notes |
| Deposit cassette | 2,700 notes | 2,700 notes | 2,700 notes | 2,700 notes |

	Paragon 3S	Paragon 3L	Paragon 4S	Paragon 4L
Total capacity of notes	10,800 notes	10,800 notes	13,500 notes	13,500 notes

Processing:

Bulk Note Acceptor

	Paragon 3S	Paragon 3L	Paragon 4S	Paragon 4L
Note processing speed in/out	8 notes/sec	8 notes/sec	8 notes/sec	8 notes/sec
Recycle up to	(3) Denominations	(3) Denominations	(4) Denominations	(4) Denominations

Coin:

Capacity

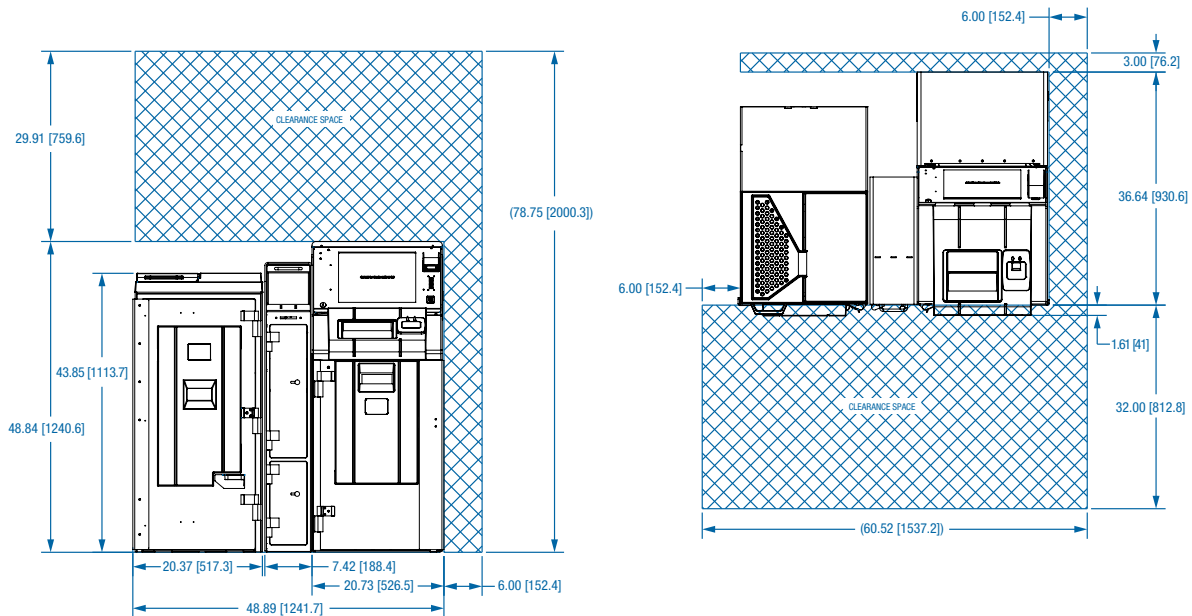
- | | Paragon 3S | Paragon 3L | Paragon 4S | Paragon 4L |
|---------------------------|------------|------------|------------|------------|
| Number of recycle modules | 5 | 4 | 5 | 4 |
| Capacity by denomination: | | | | |
| Nickels | 3,000 | 6,500 | 3,000 | 6,500 |
| Dimes | 6,200 | 15,000 | 6,200 | 15,000 |
| Quarters | 2,700 | 5,800 | 2,700 | 5,800 |
| Loonies | 1,800 | 2,050 | 1,800 | 2,050 |
| Toonies | 1,700 | 1,900 | 1,700 | 1,900 |
| Sorted Overflow | --- | 24,000 | --- | 24,000 |
| Total Coin Capacity | 15,400 | 55,250 | 15,400 | 55,250 |

Processing:

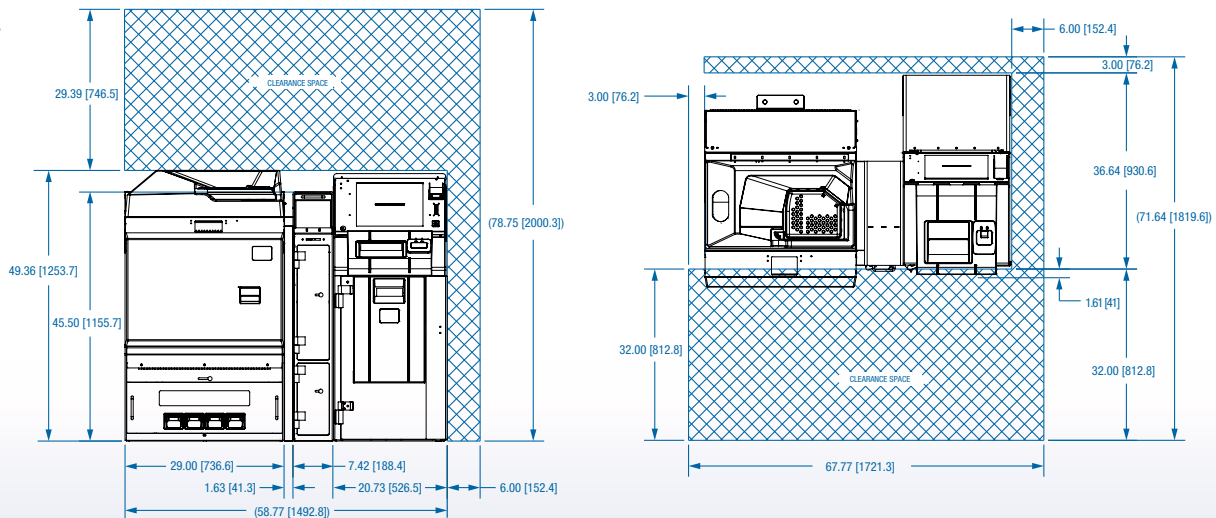
- | | Paragon 3S | Paragon 3L | Paragon 4S | Paragon 4L |
|---------------------------------|-------------------|-------------------|-------------------|-------------------|
| Coin processing speed in up to | 700 coin/min | 3,000 coin/min | 700 coin/min | 3,000 coin/min |
| Coin processing speed out up to | 16 coin/sec | 32 coin/sec | 16 coin/sec | 32 coin/sec |
| Accepts up to | (5) Denominations | (6) Denominations | (5) Denominations | (6) Denominations |
| Recycle up to | (5) Denominations | (5) Denominations | (5) Denominations | (5) Denominations |



Paragon 3S & 4S with Drop Vault



Paragon 3L & 4L with Drop Vault



HARDWARE FEATURES:

- Closed Loop Architecture of Notes and Coins; No Manual Intervention Required
- Coin Discrimination (i.e. Counterfeit Coin Rejection)
- Scalable – Up to Two (2) Note Recyclers
- Lockable Deposit Cassette
- “Fitness Sort” on Recycled Notes
- Flexible Note Orientation (No Need to Separate or Face Notes)
- Pocket Note Acceptor (Handles Large Bundles of Notes; Up to 200)
- Integrated drop/storage Vault- Optional
- Dispenses Coins Directly into Till Tray – Paragon 3S & 4S
- Dispenses Coins Directly into Till Drawer – Paragon 3L & 4L
- Optional Biometrics (Palm Scanner)
- Cup LEDs (Notification if Change is Left in Cups)
- Scalable Platform Network and Cluster multiple devices
- Continuous 24/7 Monitoring
- Integrated Printer

FEATURE CAPABILITY:

- Ability to Integrate with POS System
- Same Day Credit on Deposit (Provisional Credit)

SOFTWARE FEATURES:

- PCI Compliant
- Axeda Remote Monitoring Solutions for Tech Support
- Real Time Cash/Coin Level Monitoring
- Scalable – Cluster Format
- Reporting – Standard or Custom
- Lane and/or Clerk Accountability
- Tills and Drop Bags Automatically Traced to a Specific User by Utilizing Bar-Coding
- Multiple Tills per Register/Lane
- Configurable User Permission Levels for Machine Access
- Multiple User Authentication Schemes (Card & PIN, Log-in and PIN, or Biometrics)
- Automatic Prompting of Periodic Password Changes
- Track Monies outside of Unit with External Vault Fund Function
- Guided Deposit Preparation: Automatically Calculates and Moves Deposit to Courier Cassette
- Automatic End of Day Reporting
- Courier Specific Log-In Menu
- Video Troubleshooting Tips
- Video Guidance for System Operation

DROP VAULT:

- Capacity:
- Upper - Drop Vault - 1 Cubic ft.
 - Lower - Storage Vault - .93 Cubic ft.

ACCESS/CONTROL:

- Upper Vault
- Drops can be made via a Drop Chute.
 - The Drop Chute is controlled by biometric access.
 - Packages or Drops can be tracked by Barcode Scanner in conjunction with RRS Paragon Series.
- Storage Vault
- Biometric Access.
 - Till Drawers or Drops can be tracked by Barcode Scanner in conjunction with RRS Paragon Series.

